

# Kidde Fire Systems Component Description



## Pressure Operated Control Head, Stackable

Effective: April 2023  
K-85-5020 Rev AD

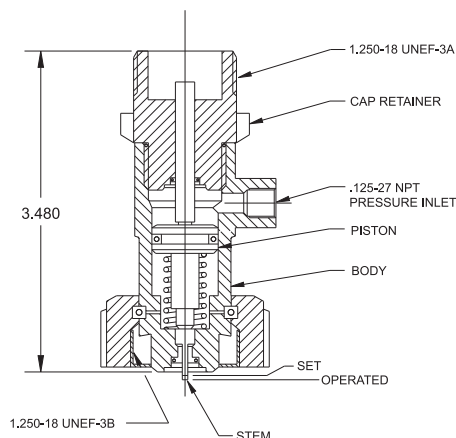
### FEATURES

- For Approvals, see the “COMPATIBILITY” table.
- RoHS compliant

P/N: 82-878750-000

### MATERIALS

Body, Retaining Cap, Piston and MTG. Nut: Brass  
Spacer: Brass



### COMPATIBILITY

Series	DIOM P/N	Supplement P/N	Approvals
Kidde Fire Systems ECS-500™ System	06-237585-001	N/A	UL, ULC, FM
Kidde Fire Systems ECS-500™ Marine System	06-237589-001	N/A	UL, ULC, USCG
Kidde Fire Systems ADS™ for use with Fluoroketone Fire Suppression Agents	06-237256-001	N/A	UL, ULC, FM
Kidde Fire Systems ADS™ Marine for use with Fluoroketone Fire Suppression Agents	06-237257-001	N/A	UL, ULC, USCG
Kidde Fire Systems ECS™ 360 for use with Fluoroketone Fire Suppression Agents	06-236553-001	N/A	UL, ULC, FM
Kidde Fire Systems ECS™ 360 Marine for use with Fluoroketone Fire Suppression Agents	06-236559-001	N/A	UL, ULC, USCG
Kidde Fire Systems ECS™ with HFC-227ea Agent	06-236115-001	06-236115-003	UL, ULC, FM
Kidde Fire Systems Modular ECS™ with HFC-227ea Agent	06-236116-001	06-236116-002	UL, ULC, FM
Kidde Fire Systems ADS™ with HFC-227ea Agent	06-236068-001	06-236068-003	UL, ULC, FM
Kidde Fire Systems ECS™ Marine with HFC-227ea Agent	06-236225-001	N/A	UL, USCG
Kidde Fire Systems ADS™ Marine with HFC-227ea Agent	06-236595-001	N/A	UL, ULC, USCG
Kidde Fire Systems High Pressure CO <sub>2</sub>	81-C02MAN-001	N/A	UL, ULC, FM
Kidde Fire Systems Marine Carbon Dioxide Version 2.4 DIOM	220610	N/A	UL, USCG
Kidde Fire Systems FE-13™ Engineered Suppression System	06-236169-002	06-236169-003	UL
Kidde Fire Systems FE-13™ Modular Engineered Suppression System	06-236193-001	06-236193-002	UL

**Note:** Agency listings also apply to the Fenwal Engineered Fire Suppression Systems, when the Control Head Monitor is used on these legacy product lines.

**SPACER, P/N 85-100000-002 (Optional)**

To comply with NFPA 2001 (2012 ed.), all electric control heads must be under placement supervision such that, if an electric actuator is removed, an audible and visual signal will be initiated at the control panel indicating system impairment. To accomplish this, Kidde Fire Systems is offering a Control Head Monitor suitable for mounting between the electric control head and the corresponding valves or stackable control head, including the Stackable Pressure Operated Control Head. Please note, a spacer P/N 85-100000-002 must be purchased separately.

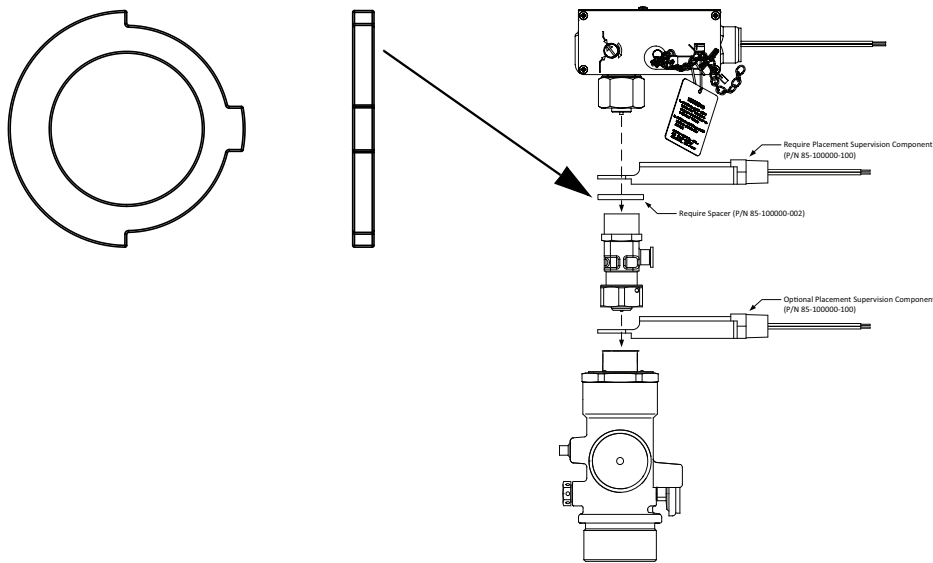


Figure 1. Pressure Operated Control Head and Spacer Order of Assembly

**ORDER INFORMATION**

Part Number	Description
82-878750-000	Pressure Operated Control Head, Stackable
85-100000-002	Spacer, required when installing Control Head Monitor (P/N 85-100000-002) on to Stackable Pressure Operated Control Head

**EXPORT INFORMATION (USA)**

Jurisdiction: EAR

Classification: EAR99

This document contains technical data subject to the EAR.

All trademarks are the property of their respective owners.

This literature is provided for informational purposes only. KIDDE-FENWAL, INC. believes this data to be accurate, but it is published and presented without any guarantee or warranty whatsoever. KIDDE-FENWAL, INC. assumes no responsibility for the product's suitability for a particular application. The fire suppression system design, installation, maintenance, service and troubleshooting must be performed by trained, authorized Kidde Fire Systems distributors for the product to work correctly. If you need more information on this product, or if you have a particular problem or question, contact: KIDDE-FENWAL, INC., Ashland, MA 01721 USA, Telephone: (508) 881-2000.